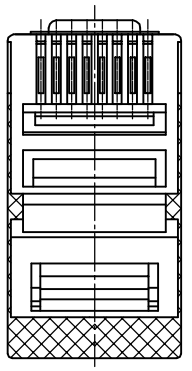
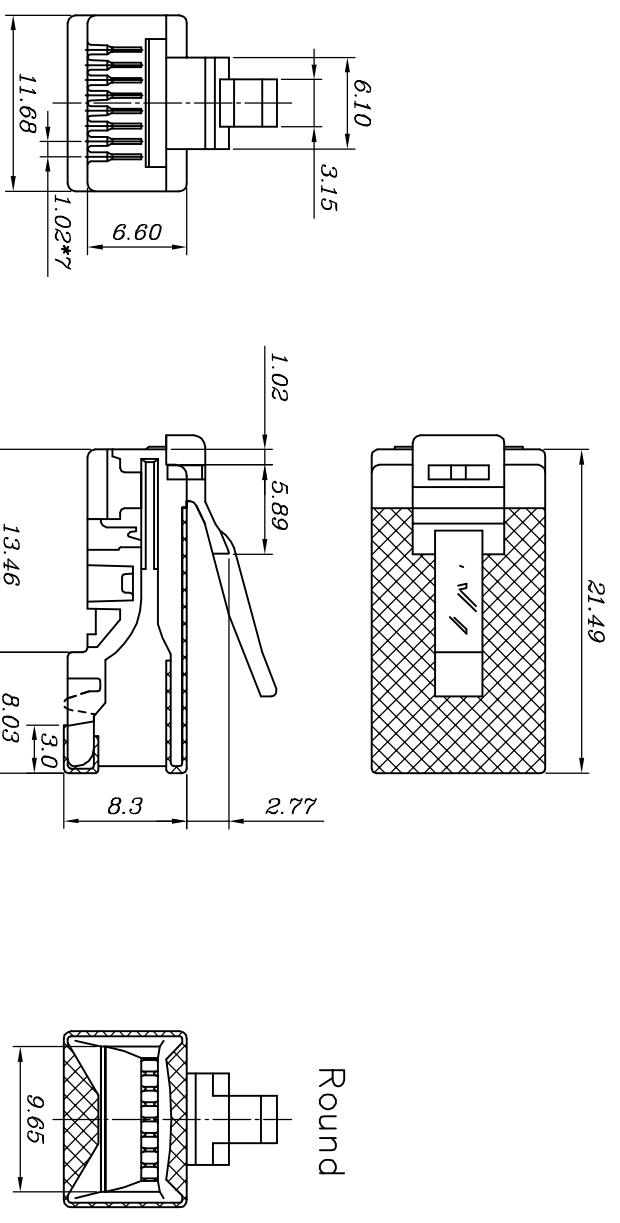


REV	DATE	MODIFICATION	DRAWN
	11/05/05		

SPECIFICATIONS

- 1 ELECTRICAL:
 - UL APPLICATIONS: 250 VOLTS AC MAX., AT 2 AMPS.
 - DIELECTRIC WITHSTANDING VOLTAGE: 500 VOLTS AC.
 - INSULATION RESISTANCE: 100 MΩ.
 - TERMINATION: RESISTANCE 20mΩ MAX AFTER ENVIRONMENTAL TESTING.
- 2 MECHANICAL:
 - CABLE-TO-PLUG TENSILE STRENGTH: 19.6N/PCS MIN.
 - DURABILITY: 200 MATING CYCLES.
- 3 MATERIAL & FINISH:
 - HOUSING: POLYCARBONATE, U194V-0 OR U194V-2.
 - COLOR: TRANSPARENT OR OTHER COLOR ARE AVAILABLE.
 - CONTACT BLADE: PHOSPHOR BRONZE.
 - CONDUCTOR: STRANDED & SOLID WIRE, 24AWG, 26 AWG, GOLD PLATING: 30"-.500" ARE AVAILABLE.

Round



BLADE:

Type	E	B	Y	Z
Drawing				
Mark				

DIMENSION IN mm (Inch)		MATERIAL		DWG NO.	
TOLERANCE UNLESS OTHERWISE SPECIFIED		PC		PLUG-010	
.X±0.20		.X°±5°		DESCRIPTION	
.XX±0.10		.XX°±2°		PLUG-8P SHIELDED	
APPROVAL	CHECKED	DRAWN	SCALE	SHEET	REV
		Lucia	2/1	1/1	A
			PROL.		